

# Trampolines USA Inc.

"Family Owned & Operated"

*AirMaster™ Series*

## 15' AIRMASTER

Save This  
Instruction And  
Information  
Booklet

### To Contact

Trampolines USA, Inc.

Call Toll Free or Email:

1-800-872-6765

customerservice@1800trampoline.com

MONDAY - FRIDAY CST

8:00 A.M. - 5:00 P.M.

SATURDAY

9:00 A.M. - 4:00 P.M.



Trampolines USA, Inc.

8672 Interstate Highway 10

Orange, TX 77632

[www.1800trampoline.com](http://www.1800trampoline.com)



***AirMaster™ Series***  
**AIRMASTER**  
**MODEL TRD15AM**  
Round 15' Diameter Trampoline  
**User and Owner Manual**

[www.1800trampoline.com](http://www.1800trampoline.com) - 1-800-872-6765



## WARNING

Adequate overhead clearance is essential. A minimum of 24 feet from ground level is recommended. Provide clearance for wires, tree limbs, and other possible hazards.

Lateral clearance is essential. Place the trampoline away from walls, structures, fences, and other play areas. Maintain a clear space on all sides of the trampoline.

Place the trampoline on a level surface before use.

Use the trampoline in a well-lighted area. Artificial illumination may be required for indoor or shady areas.

Secure the trampoline against unauthorized and unsupervised use.

Remove any obstructions from beneath the trampoline.

The owner and supervisors of the trampoline are responsible to make all users aware of practices specified in the Use Instructions



Do not attempt or allow somersaults. This can result in a neck, back, or leg. Landing on your head or neck can cause serious injury, paralysis, or death, even when landing in the middle of the bed.



Do not allow more than One person on the trampoline. Use by more than one person at the same time can result in serious injury.

Use trampoline only with mature, knowledgeable supervision.

This trampoline is designed for users weighing two hundred fifty (250) pounds or less.

# Table of Contents

Content	Page
Warranty Information	3
Before You Begin	4
Trampoline Safety Information	4
Accident Classification	5
Methods of Accident Prevention	5
Trampoline Safety Instructions	6
Use, Placement, and Assembly Instructions	7 - 13
Model Lessons	7
Basic Trampoline Skills	8
Placement	9
Overview of Trampoline Use	9
Assembly	9 - 13
Ordering Replacement Parts	10
Care and Maintenance	14
Special Considerations - Wind, Moving	14
Exploded Drawing and Parts List	15

## READ THIS MANUAL

---

---

All Trampolines USA Inc. trampolines come equipped with important information regarding proper assembly, usage and safety procedures. This information must be read by all supervisors and trampoline users before allowing any person to jump on a trampoline.

**Trampolines USA, Inc**  
**Limited Trampoline Warranty**  
**GUARANTEE VALID ONLY IN THE UNITED STATES**

**Trampolines USA Inc (TUSA)** warrants its trampoline products to be free from defects in material and workmanship under normal use and service conditions. This warranty specifically does not cover punctures, burn holes, damages by foreign objects, damage by wind or will full abuse or misuse, or Acts of God. The various component parts of the trampoline are warranted against defects and workmanship as follows:

- A. Steel frame - two (2) years;
- B. Jumping mat (bed) - two (2) years;
- C. Springs - one (1) year;
- D. Frame pad – ninety (90) days .

All warranty coverage extends only to the original retail purchaser from the date of purchase. TUSA'S obligation under this Warranty is limited to replacing or repairing, at TUSA'S option, the product at one of its authorized service centers. All products for which a warranty claim is made must be received by TUSA at one of its authorized service centers, freight prepaid, and accompanied by sufficient proof of purchase. All returns must be preauthorized by TUSA. Preauthorization may be obtained by calling TUSA'S Customer Service Department at 1-800-872-6765. This Warranty also does not extend to any product or damage to a product caused by or attributable to freight, abuse, misuse, improper or abnormal usage, or repairs not provided by a TUSA authorized service center or for products used for commercial or rental purposes. No other Warranty beyond that specifically set forth above is authorized by TUSA.

TUSA IS NOT RESPONSIBLE OR LIABLE FOR INDIRECT, SPECIAL OR CONSEQUENTIAL DAMAGES ARISING OUT OF OR IN CONNECTION WITH THE USE OR PERFORMANCE OF THE PRODUCT OR OTHER DAMAGES WITH RESPECT TO ANY ECONOMIC LOSS, LOSS OF PROPERTY, LOSS OF REVENUE OR PROFITS, LOSS OF ENJOYMENT OR USE, COST OF REMOVAL, INSTALLATION OR OTHER CONSEQUENTIAL DAMAGES. SOME STATES DO NOT ALLOW THE EXCLUSION OR LIMITATION OF INCIDENTAL OR CONSEQUENTIAL DAMAGES. ACCORDINGLY, THE ABOVE LIMITATION MAY NOT APPLY TO YOU.

THE WARRANTY EXTENDED HEREUNDER IS IN LIEU OF ALL OTHER WARRANTIES AND ANY IMPLIED WARRANTY OF MERCHANTABILITY OR FITNESS FOR A PARTICULAR PURPOSE IS LIMITED IN ITS SCOPE AND DURATION TO THE TERMS SET FORTH HEREIN. SOME STATES DO NOT ALLOW LIMITATIONS ON HOW LONG AN IMPLIED WARRANTY LASTS. ACCORDINGLY, THE ABOVE LIMITATION MAY NOT APPLY TO YOU. This warranty gives you specific legal rights. You may also have other rights which vary from state to state.

# BEFORE YOU BEGIN

**Thank you for selecting and purchasing a Trampolines USA, Inc (TUSA) Trampoline.**

The TUSA Airmaster Trampoline is designed and crafted to provide you and your family with many years of fun and fitness.

**For your benefit and safety, read this manual carefully before using this trampoline.**

**Refer to page 15 for a description and assembly location of trampoline parts and accessories that are described in this manual.** If you have additional questions, please call our Customer Service Department, toll-free, at **1-800-872-6765**, Monday through Friday, 8 a.m. until 5 p.m., Saturday 9 a.m. - 4 p.m., Central Time



## WARNING



**Do not land on head or neck. Paralysis or death can result, even if you land in the middle of the trampoline mat (bed). To reduce the chance of landing on your head or neck, do not do somersaults (flips).**



**Only one person at a time on the trampoline. Multiple jumpers increase the chances of loss of control, collision, and falling off. This can result in a broken neck, back, or leg.**

**Misuse and abuse** of this trampoline is dangerous and can cause serious injuries.

Trampolines are **rebounding** devices which **propel** the performer to **unaccustomed** heights, and into a variety of body movements. Rebounding off of the trampoline, striking the frame or springs, or improperly landing on the trampoline mat (bed) may cause injury.

**Read** all instructions thoroughly before using this trampoline, or allowing its use by any person.

**Inspect** the trampoline before each use, and replace any worn, defective or missing parts.

All purchasers and all persons using the trampoline must become **familiar** with the manufacturer's recommendations for the proper assembly, use and care of the trampoline. Each user must also be alert to his or her own limitations in the execution of trampoline skills. Assembly instructions, selected precautions, and suggestions for the care and maintenance of the trampoline are included in this user's manual to promote safe, enjoyable use of this equipment.

It is the **responsibility** of the owner or trampoline supervisor to **insure** that all users of this trampoline are adequately informed of all warnings and safety instructions.

## TRAMPOLINE SAFETY INFORMATION

### Need for Trampoline Safety

In trampoline use, as with all active recreational sports, participants can be injured. There are steps you can take to reduce the risk of injury. In this section (continued on the next page), the primary accident patterns have been identified and the responsibilities of the supervisors and the jumpers in accident prevention are described.

## Accident Classification

**Somersaults (flips):** Landing on your head or neck, even in the middle of a trampoline mat (bed), increases the risk of a broken back or neck, which can result in paralysis or death. **Do not do somersaults (flips) on this backyard trampoline.**

**Multiple Jumpers:** More than one jumper on the trampoline increases the chance of someone becoming injured by losing control of their jump. Jumpers may collide with one another, fall off the trampoline, fall on or through the springs, or land incorrectly on the mat (bed). The lightest weight jumper is the most likely to be injured.

**Mounting and Dismounting:** The trampoline mat (bed) is about a foot from ground level. Jumping off the trampoline to the ground or any other surface may result in injury. Jumping onto the trampoline from a roof, deck, or other object also represents a risk of injury. Smaller children may need assistance getting up on or down from the trampoline. Carefully step up and step down when getting on or off the trampoline. Do not step onto the springs or the frame pad.

**Striking Frame or Springs:** Injury may result from encountering the frame or falling through the springs while jumping or getting on or off the trampoline. Stay in the center of the trampoline mat (bed) when jumping. Be sure to keep the frame pad in place to cover the frame. The frame pad is not designed nor intended to support the weight of the trampoline user. Do not step or jump directly onto the frame pad.

**Loss of Control:** Jumpers who lose control of their jump may land on the mat (bed) incorrectly, land on the frame or springs, or fall off the trampoline. A controlled jump is one where the landing is in the same spot as the take off. To regain control and stop your jump, bend your knees sharply when you land.

**Alcohol or Drug Use:** The chance of injury increases when a jumper has consumed alcohol or taken drugs. These substances impair a person's reaction time, judgment, and physical coordination.

**Encountering Objects:** Use of a trampoline while other people, pets, or objects are underneath it will increase the chance of injury. Jumping while holding or having an object on the trampoline, particularly one that is sharp or breakable, will increase the chance of injury. Placing a trampoline too close to overhead electrical wires, tree limbs, or other obstructions can increase the chance of injury.

**Poor Maintenance of Trampoline:** Jumpers may be injured if a trampoline is used when it is in poor condition. A torn mat (bed), bent frame, broken spring, or a missing frame pad, for example should be replaced before anyone is allowed to jump. Inspect the trampoline before each use.

**Weather Conditions:** A wet trampoline mat (bed) is too slippery for safe jumping. Gustly or severe winds can cause jumpers to lose control. To reduce the chance of injury, use the trampoline only under appropriate weather conditions.

**Limiting Access:** To prevent access to the trampoline by unsupervised small children the trampoline should always be removed and/or stored in a secure location when it is not in use.

## Methods of Accident Prevention

**Jumper's Role in Preventing Accidents:** Education on the part of the user is a must for safety. Users must first learn a, low controlled bounce and then learn the basic landing position. Jumpers must understand why they have to master "control".

**Supervisors Role in Preventing Accidents:** It is the responsibility of the supervisors of trampoline users to provide knowledgeable and mature supervision. They need to know and enforce all the rules and warnings set forth in this manual in order to minimize the likelihood of accidents and injuries and to inform users of these rules. During periods of time when supervision is unavailable or inadequate, this may require that the trampoline be disassembled, placed in a secure area, or otherwise secured against unauthorized use. Another option which may be considered is covering the trampoline with a heavy tarp, which can be secured with locks and chains.

# TRAMPOLINE SAFETY INSTRUCTIONS



## WARNING



**Do not land on head or neck.**

Paralysis or death can result, even if you land in the middle of the trampoline mat (bed).

To reduce the chance of landing on your head or neck, do not do somersaults (flips).



**Only one person at a time on the trampoline.**

Multiple jumpers increase the chances of loss of control, collision, and falling off.

This can result in broken neck, back, or leg.

### For the Supervisor

Read the instructions before using the trampoline. Enforce all of the safety rules and be familiar with the information in the User's Manual to help new users learn basic jumps and all users to follow trampoline safety.

All trampoline users must have mature, knowledgeable supervision, regardless of the skill or age of the jumper.

Inspect the trampoline before using. Keep frame pad in place. Do not use when trampoline is wet or in a windy condition. A worn or damaged mat (bed), spring, frame piece, frame pad should be replaced immediately.

Keep objects away that could interfere with the jumper.

Secure the trampoline against unauthorized and unsupervised use.

### For the Jumper

Do not use the trampoline when under the influence of drugs or alcohol.

### Jumping

Learn fundamental jumps and body positions. Review the User's Manual to learn about how to do basic jumps.

Stop your bounce by flexing your knees as your feet come in contact with the trampoline mat (bed).

Avoid jumping too high or for too long. Always control your jump. A controlled jump is one where the take off and land spots are the same.

Bounce in the center of the trampoline. Focus your eyes on the trampoline mat (bed). Failure to do so may result in a loss of balance and control.

Take turns jumping one at a time, and always have someone watch you.

### Getting on and off

Carefully step up or step down when getting on or off the trampoline. Do not jump on or off. Do not use the trampoline as a springboard to other objects.

For further equipment information contact Trampolines USA, Inc.

# Instruction Program - Model Lessons

*The following lessons are suggested as examples of instructional procedure. They should follow a complete discussion and demonstration of body mechanics between the supervisor and the student(s).*

---

## LESSON No. 1

1. Mounting and dismounting.  
Demonstration and practice of proper techniques.
2. Fundamental bouncing.  
Demonstration and practice.
3. Braking (checking bounce).  
Demonstration and practice, braking on command.
4. Hands and knees.  
Demonstration and practice, stressing four-point landing and alignment.

## LESSON No. 2

1. Review and practice of techniques.
2. Knee bounce.  
Half twist to right, to left, to feet, to knees.
3. Seat-drop.  
Repeat in swing.  
Half twist to feet.  
Seat-drop, knees, hands and knees; repeat.

## LESSON No. 3

1. Review and practice of skills previously learned.
2. Front-drop.  
To save time and avoid mat burns, all members of the class should be requested to assume the front drop position on the floor while the instructor checks for faults. Suggested progression: From hands and knees bounce, the body is extended for the landing in front drop position, and the rebound is made to feet.
3. Practice routine; hands and knees, front-drop, feet, seat-drop, half twist to feet.

## LESSON NO. 4

1. Review and practice of learned skills.
2. Back-drop.  
Demonstration, accenting the forward thrust of the hips by arching body as one leg is brought forward from standing (not bouncing) position, and the drop to the back is made with chin held forward to chest, eyes forward on trampoline frame. Spotting this skill is most important. Demonstration of back-drop with low bounce and practice on both techniques.

## LESSON NO. 5

1. Review of all skills learned, encouraging original routines based upon them.
2. Half turntable.  
Start from front drop position and push left or right with hands.  
Turn head and shoulders in same direction. Keep back parallel to mat and head up. After completing 1/2 turn land in front drop position.

## LESSON NO. 6

1. Swivel-hips.  
Suggested progression:  
Seat-drop, feet, half twist; repeat.  
Seat-drop, half twist to feet; repeat.  
Seat drop, half twist to seat drop.
2. Half turntable.

## LESSON NO. 7

The student should now be encouraged to design and organize routines with emphasis on good form. The instructor may judge or grade the students and arrange groupings for further instruction accordingly.

To stimulate interest in competition, the game of "Trampoline Horse" may be introduced. It is played in the following manner: The students number off and No. 1 performs a stunt. No. 2 mounts the trampoline and performs the same stunt and adds another one. No. 3 mounts and does stunts 1 and 2 and adds another one himself. Thus, it becomes a continually lengthening series of stunts in routine. The first person who misses a stunt in the series assumes the letter "H," and starts the series over again with the first stunt. If a person misses again, he accumulates "O" and the first one to accumulate H-O-R-S-E is eliminated from the game. The last remaining contestant is the winner.

Lesson planning from this point should be facilitated by contacting a certified trampoline instructor.

# BASIC TRAMPOLINE SKILLS

## FUNDAMENTAL BOUNCE

1. Start from standing position with head erect and eyes on mat.
2. Swing arms forward and up in a circular motion.
3. Bring feet together and point toes downward while in the air.
4. Keep feet about 15 inches apart when landing on mat.



## HAND AND KNEE DROP

1. Start from erect position keeping eyes on mat.
2. Land on mat on hands and knees.
3. Push with hands and come back up to erect position.



## KNEE DROP

1. Start from low bounce.
2. Land on knees keeping back straight and body erect.
3. Come back up to erect position.



## BACK DROP

1. Start with low bounce and land on back.
2. Keep chin forward on chest during landing.
3. Kick forward and up with legs when returning to erect position.



## SEAT DROP

1. Land in a flat sitting position.
2. Place hands on mat beside hips.
3. Push with hands when returning to erect position.



## HALF TURNTABLE

1. Start from front drop position and push left or right with hands.
2. Keep head and shoulders in same direction.
3. Keep back parallel to mat and head up.
4. After completing 1/2 turn, land in front drop position.



## FRONT DROP

1. Start from low bounce and land on mat in prone position.
2. Keep head up and arms extended forward on mat.
3. Push with arms to return to standing position.



## SWIVEL HIPS

1. Start with seat drop.
2. Turn head and throw arms up and to left or right.
3. Hips turn in same direction completing twist.
4. Land in seat drop position.





# Use and Instructional Material

## Overview of Trampoline Use

The first periods of trampoline use should focus on learning **fundamental body positions**. During this learning period, jumpers should **practice these basic techniques** and **perfect them**. **Braking, or checking the bounce** should be taught first and stressed as a safety measure. Jumpers should brake their jump whenever they start to lose balance or control. This is done by simply **flexing the knees sharply** upon landing and absorbing the upward thrust of the mat (bed). This enables the jumper to stop suddenly and avoid losing control.

In trampoline use, the **take-off point and landing point of a good, controlled jump is on the same spot**. A jumper should be able to perform it consistently.

Allow each jumper a **brief turn on the trampoline**. Extended bouncing exposes an over tired user to an increased risk of injury. Longer turns tend to lessen the interest of others waiting to jump.

**Wearing apparel** should consist of T-shirt, shorts and regulation gymnastic shoes, heavy socks, or jumpers may be barefoot. No hard sole shoes should be worn as they cause excessive wear on the trampoline mat (bed).

**Mounting and dismounting properly** is done by carefully stepping up or down when getting on to or off the trampoline.

**Reckless** bouncing should not be permitted. All skills should be learned at **moderate heights**. Control rather than height, should be emphasized. Jumpers should be **forbidden to practice alone** and unsupervised.

## TRAMPOLINE PLACEMENT

A minimum of 24 feet (7.3 meters) of **overhead clearance** is required. Adequate **horizontal clearance** must be maintained from objects and possible hazards including electric power wiring, tree limbs, recreational structures (swing-sets, swimming pools), and fences. The trampoline must be placed on a **level surface** before use. The trampoline must always be used in a **well-lighted area**. There must be **no obstructions** beneath the trampoline. Do not place the trampoline near any other **recreational devices or structures** such as a swimming pool or swing-set.

## ASSEMBLY INSTRUCTIONS

**This trampoline does not require any tools to assemble. It can easily be disassembled for compact and convenient storage during periods of nonuse. Read the assembly instructions before beginning assembling the trampoline.**

### Before assembling:

The assembly instructions reference parts by name and by part number. Please refer to Page 15 for part descriptions and numbers. Make sure that all parts listed in the parts list are included. Refer to page 10 for instructions on how to obtain missing parts.

Use **gloves to protect your hands** from pinch points during assembly and disassembly.

# ASSEMBLY STEPS

Read through all assembly steps carefully before beginning the assembly process. Refer to drawings for clarification. No additional tools are required for assembly. The use of gloves is recommended.

## Step 1:

Lay out all frame sections in a circle (See Fig. 1).  
The frame sections consist of 4 components - 30 total pieces:

- Top rail – **6 pieces** (part no. TRD15AMTR)
- Top rail with leg sockets - **6 pieces** (part no. TRD15AMTRS)
- Leg base - **6 pieces** (part no. TRD15AMLB)
- Leg extension - **12 pieces** (part no. TRD15AMLE)

These are all interchangeable and have no “left hand” or “right hand” orientation. All connections consist of sliding a section tube end into a slightly larger tube end on the adjacent section. These are called **slip joints**.

### ORDERING REPLACEMENT PARTS

Replacement parts can be ordered by calling our Customer Service Department, toll-free, at 1-800-872-6765 Monday through Friday, 8 a.m. until 5 p.m.; Sat. 9 a.m. - 4 p.m., Central Time. When ordering parts, please be prepared to give the following information

- 1. The **NAME** and **MODEL NUMBER** OF THE PRODUCT .
- 2. The **PART NUMBER** (from page 15 ).
- 3. The **DESCRIPTION** of the part (from page 15 ).
- 4. **Quantity** needed

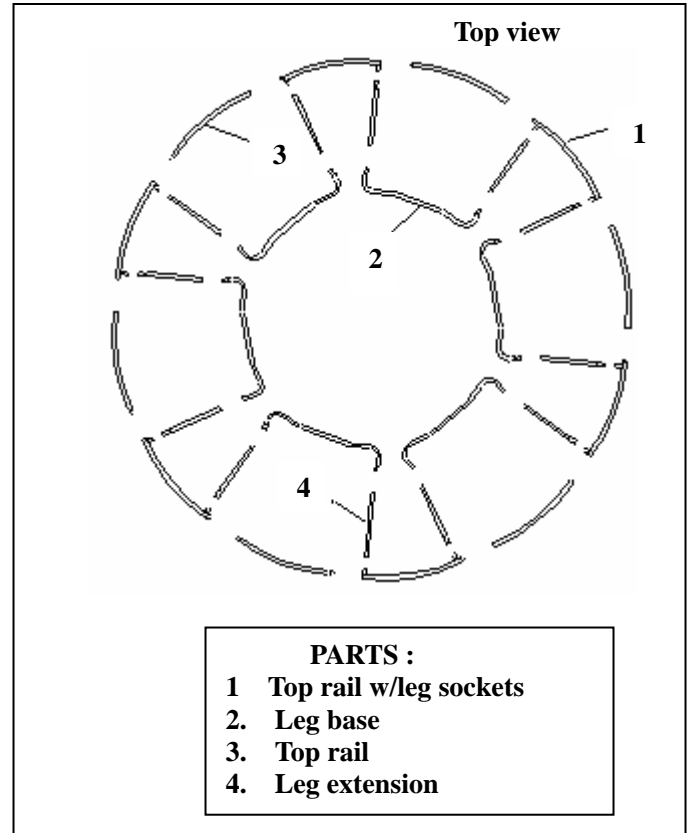


FIGURE 1

## Step 2:

Place all leg extensions on the leg bases (See Fig. 2). This is now called the **support assembly**.

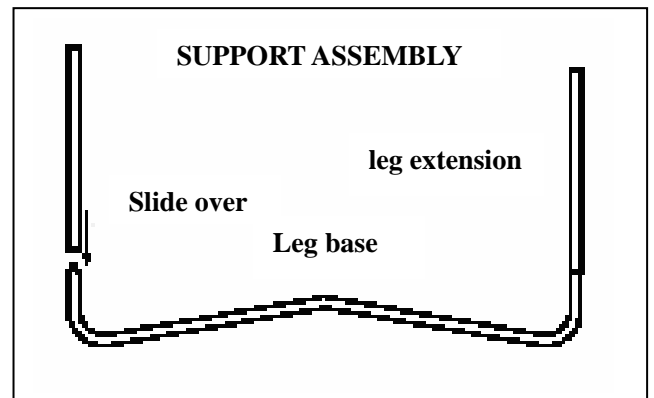
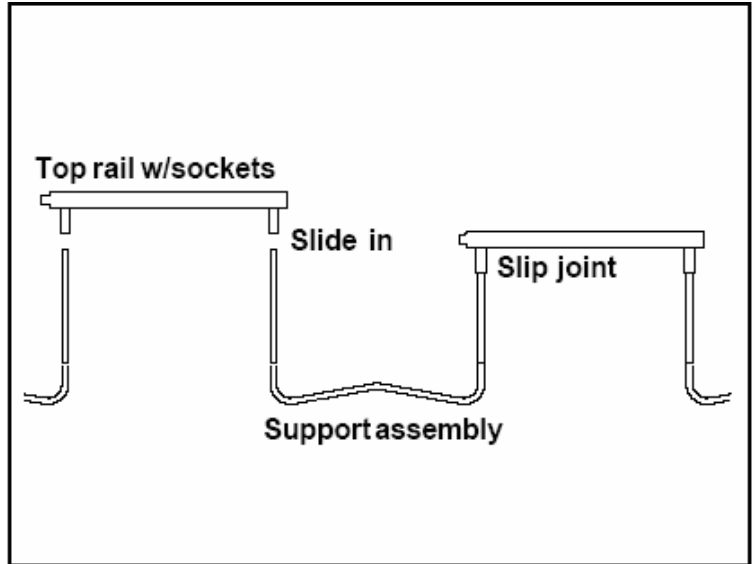


FIGURE 2

### Step 3:

At this point, you will need someone to assist you with the next phase of the frame assembly. One person lifts the **support assembly** shown in Fig. 2 (leg extensions, leg base) to a **vertical position** and inserts the socket of a top rail with leg socket over the leg extension on one side. The other person then similarly attaches an adjacent support assembly at the other end of the top rail with leg sockets. You should now have two support assemblies joined by a single top rail with sockets. Each leg socket should have a leg extension inserted in it. Continue working sequentially around the circle, connecting top rails with leg sockets to support assemblies until this portion of the frame assembly is free standing (See Fig. 3).



### Step 4:

Now install the remaining four (3) top rails in the gaps between the four three (3) top rails with sockets. Slide each top rail into the joints at both ends of the gap (See Fig. 4). **This completes the frame assembly.**

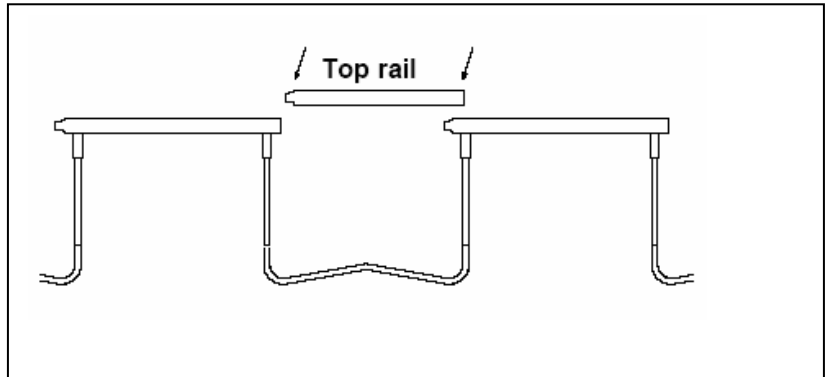


FIGURE 4

### MOVING the TRAMPOLINE

If you need to periodically move your trampoline all slip joints should be **secured** with a weather resistant tape (i.e. duct tape). This will keep the frame intact and prevent the tubular elements from separating during the move. The trampoline should be moved by at least two people, kept horizontal, and lifted slightly. Disassemble the trampoline for any other type movement.

### Step 5:

It is best to use a spring or the available "spring tool" as an aid to pull and attach the springs (part no. TS8.5) from the "V" ring on the bed (mat) to the frame holes. Using your hand can lead to getting "pinched" and also doesn't properly tension the spring. Attach the spring to the "V" ring and using the "spring tool", pull the attachment spring to the frame by inter-connecting spring hooks and pulling with one hand. When the attachment spring hook reaches the frame, use your other hand to push it into the frame hole while disengaging the "spring tool" (See Fig. 5).

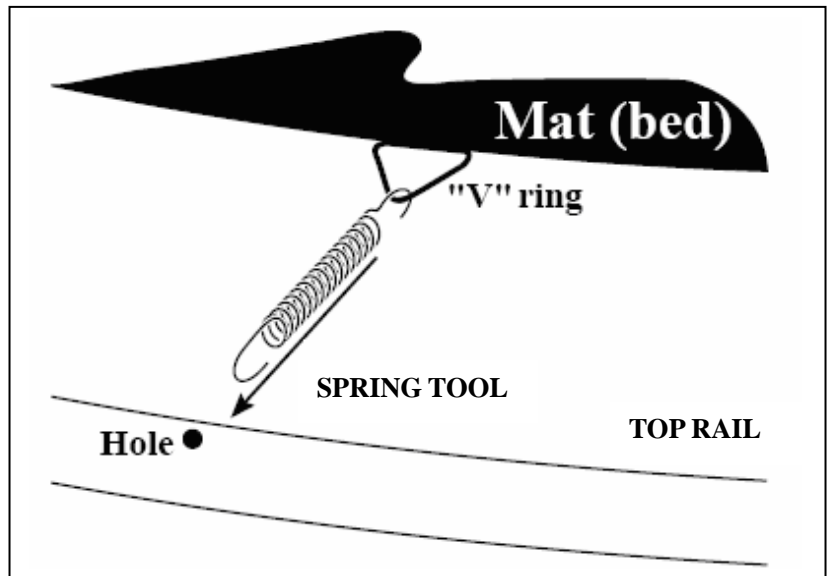


FIGURE 5

### Step 6:

Lay the jumping mat (bed) (part no. TMRD13-96SSI ) inside the frame. Springs are used to support the mat (bed) and are connected between “V” rings on the mat (bed) and holes in the top frame rail. There are 96 “V” rings on the mat (bed) that have to line up with corresponding holes on the top frame rail. These are not numbered. To make sure they eventually all line up, pick an arbitrary point and call it **zero** or 12 o'clock. Connect a spring between the “V” ring and the frame hole at this point (See Fig. 5).

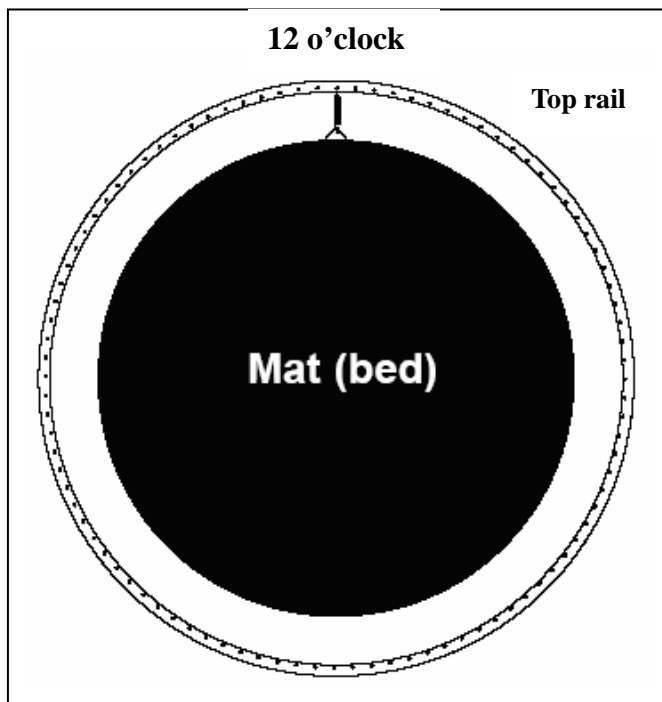


FIGURE 5

### Step 7:

Now count 24 holes and “V” rings in a clockwise direction. Attach a spring. You should be at hole 24 or 3 o'clock. Count another 24 holes and “V” rings in a clockwise direction. Attach a spring. You should be at hole 48 or 6 o'clock. Count another 24 holes and “V” rings clockwise and attach a spring. You should be at hole 72 or 9 o'clock. At this point, you should have 4 springs installed at 12, 3, 6, and 9 o'clock (See Fig. 6). This equal tension procedure is essential to properly attach the mat (bed) to the frame.

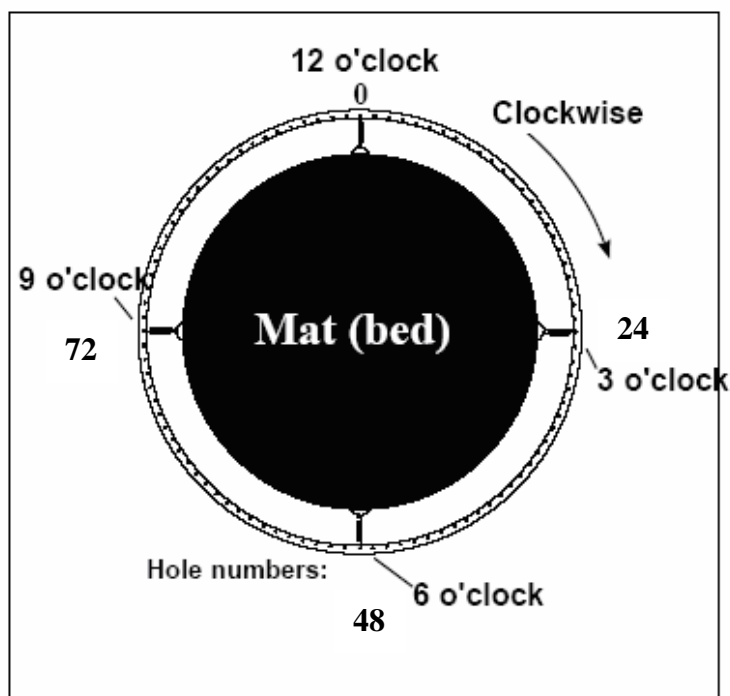


FIGURE 6

## Step 8:

To install the rest of the springs, follow the above procedures in the following steps:

- a. Attach springs every 12 holes/"V" rings (springs now at 12, 36, 60, 84).
- b. Attach springs every 6 holes/"V" rings beyond above springs - (springs now at 6, 18, 30, 42, 54, 66, 78, 90).
- c. Attach spring every 3 holes and corresponding V rings . Install one spring in each gap in a circular sequential fashion .  
Now install the remaining springs .

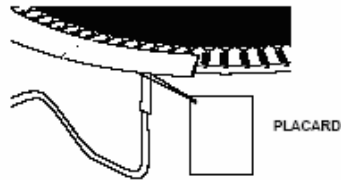
As you go through the above procedure, make sure you haven't skipped a hole/"V" ring alignment. If this happens, recount and remove/reattach springs as required to re-establish the proper alignment.

### Caution:

As you perform the spring attachment procedure, be aware that frame member slip joints can become "pinch" points. Be careful how you place your hands in these areas.

## Step 9:

Now attach the safety instruction placard using the enclosed tie wrap. Place it at the point where you will normally mount the trampoline. The tie wrap should go around a vertical frame joint and a top rail to keep it from moving laterally (See Figure 7).



**FIGURE 7**

## Step 10:

Lay the one-piece frame pad (part no. TPRD15BGI) on the trampoline so it covers the frame and springs. Make sure the pad completely covers the frame. The pad may have; ties only; or buckle strap ties to attach it to the top frame pieces. If you have the buckle strap design or the tie wrap design - follow the instructions enclosed with them, or use this as a guide for assembly: Buckle or tie one set of straps around the top frame rail at an initial spot which is designated 12 o'clock. Next buckle or tie the straps at 4 o'clock, and 8 o'clock. Now buckle or tie the remaining sets of straps in a sequential clockwise fashion. Do not tighten and final-secure the buckles until the pad is equally positioned and tensioned. It is important to not tie the pad "too tight" - this stresses the pad & installation.

## **ASSEMBLY IS NOW COMPLETE.**

Make sure that all parts are securely assembled. Familiarize yourself and all users of the trampoline with the care and maintenance instructions, use and instructional materials, and warranty and safety precautions contained in this manual before using the trampoline.

## **DISASSEMBLY**

To disassemble, follow the assembly steps in reverse order. Do not attempt to disassemble any frame components before the mat (bed) and springs have been removed.

**CAUTION:** Use of this trampoline is not recommended without the frame pad, which is designed to reduce the likelihood of injury to the user from coming into contact with the frame of the trampoline. **If you do not have a frame pad, contact TUSA 1-800-872-6765** to obtain a frame pad. Properly install the frame pad before using the trampoline.

# CARE AND MAINTENANCE

## CARE

Do not allow family **pets** on the trampoline, as claws may snag and pull the mat (bed) material or damage the frame pad. The trampoline is intended to be used by **one person at a time**, weighing less than 150 pounds. The user should be either barefoot, in socks, or wearing gymnastic shoes. Street shoes or tennis shoes should not be worn on the trampoline. The user should remove all sharp objects from their person which may cause injury or damage to the trampoline mat (bed). Heavy, sharp or pointed hard objects should not contact the mat (bed) surface.

## MAINTENANCE

Your trampoline is manufactured using quality materials and is finely-crafted to provide you and your family with many years of enjoyment and exercise. Proper maintenance and care will help to prolong the life of the trampoline and reduce the possibility of injury. The following guidelines should always be observed.

Inspect the trampoline before each use, and replace any worn, defective or missing parts. The following conditions present potential hazards and increase the danger of personal injury:

- a. Punctures, holes or tears in the trampoline mat (bed).
- b. Deterioration in any stitching of the mat (bed).
- c. Bent or broken frame or legs.
- d. Broken or missing springs.
- e. Missing or insecurely attached frame pad.
- f. Sagging jumping mat (bed).
- g. Sharp protrusions on the frame or suspension system.

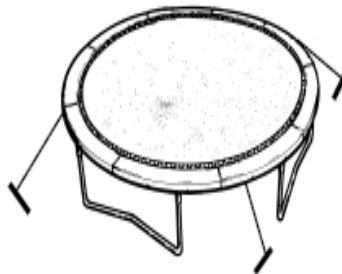
**IF ANY OF THESE CONDITIONS EXIST, THE TRAMPOLINE SHOULD BE DISASSEMBLED OR OTHERWISE PROTECTED AGAINST USE UNTIL THE CONDITION IS REMEDIED.**

## SPECIAL CONSIDERATIONS

### WIND

It is possible for the trampoline to be blown about by a high wind. If you anticipate high winds, the trampoline should be moved to a sheltered location, disassembled, or the round outside portion (top frame) should be tied to the ground using rope and stakes. At least three tie-downs should be used. Do not simply secure the legs to the ground, as they can pull out of the frame sockets.

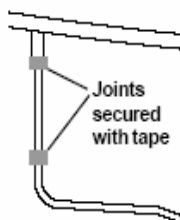
**Anchor Kit recommended**



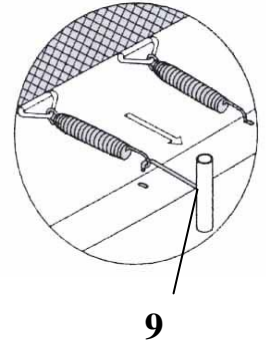
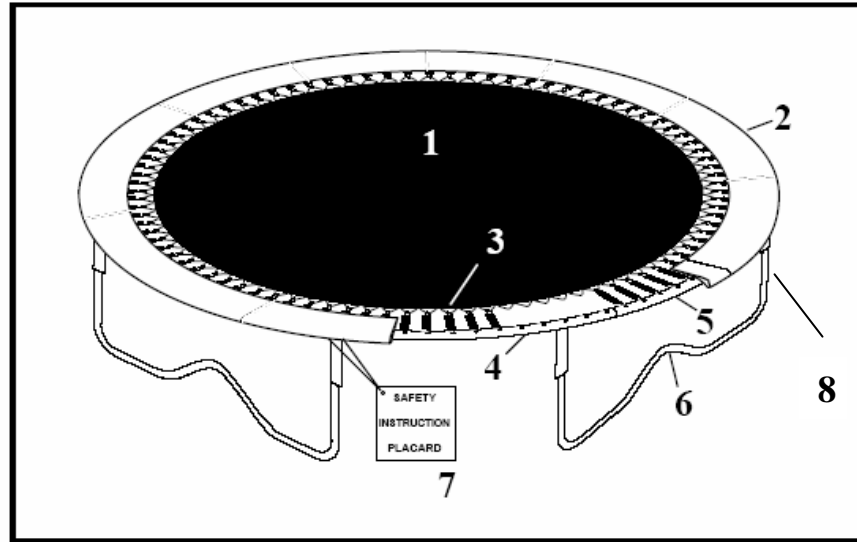
Three point tie – down using rope and tent stakes .  
Anchor Kit is Recommended .

### MOVING the TRAMPOLINE

If you need to periodically move your trampoline all slip joints should be wrapped (secured) with a weather resistant tape (i.e. duct tape). This will keep the frame intact and prevent the tubular elements from separating during the move. The trampoline should be moved by at least two people, **kept horizontal and lifted slightly to move**. Disassemble the trampoline for any other type movement (see disassembly instructions on page 13).



# Exploded Drawing and Part List for Model TRD15AM, 15' Diameter Trampoline



## Replacement Parts

<u>Part Number</u>	<u>Needed Quantity</u>	<u>Description</u>	<u>Drawing Reference Number</u>
TMRD13-96SSI	( 1 )	13'dia. bed stitched w/96 V-rings	(1)
TPRD15BGI	( 1 )	13" wide frame pad, 3/4" thick	(2)
TS8.5"	(96)	set of 96, 8.5" galvanized springs	(3)
TRD15AMTRS	( 6 )	Top rail w/leg sockets	(4)
TRD15AMTR	( 6 )	Top rail	(5)
TRD15AMLB	( 6 )	Leg base	(6)
PLACARD	( 1 )	safety instruction placard with tie wrap	(7)
TRD15AMLE	(12)	Leg Extension	(8)
ST	( 1 )	Spring Tool	(9)

The following items are not illustrated:

- ( 8 ) pads may have ties only or ties w/plastic buckles
- ( 1 ) spring installation tool
- ( 1 ) user/owner manual
- ( 1 ) Mat has sewn on "Sun guard" protection

**If any parts are missing**  
**call TUSA Customer Service at**  
**1-800-872-6765**  
**WWW.1800trampoline.com**  
**Trampolines USA Inc.**  
**8672 Interstate Highway 10**  
**Orange , Texas 77632**



**Trampolines USA Inc.  
8672 Interstate Highway 10  
Orange, Texas 77632  
1-800-872-6765  
[www.1800trampoline.com](http://www.1800trampoline.com)**

---



